

NUMBER C-174418

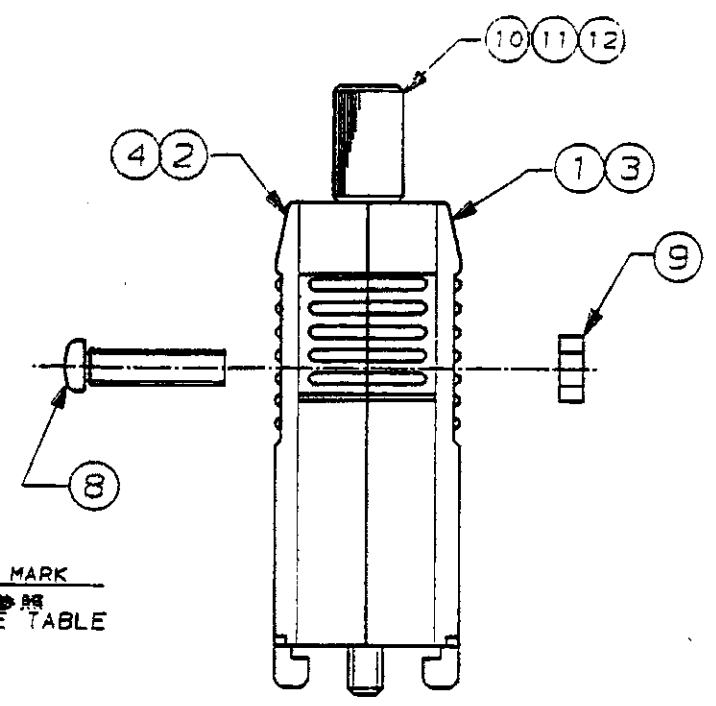
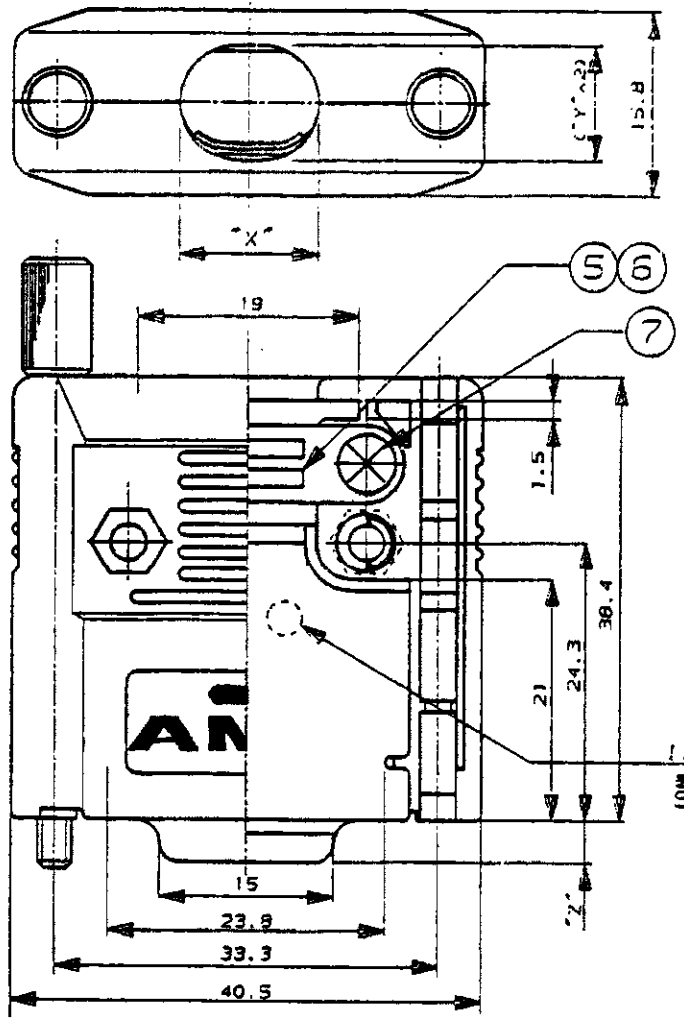
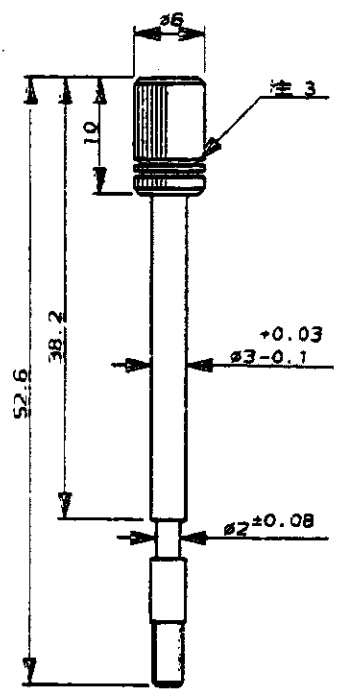
3-D ANGLE PROJECTION

METRIC

SIP 3/85

DIMENSIONS IN MILLIMETERS. DO NOT SCALE PRINT

PRINT DIST



注記 NOTE

- 1. 適用ケーブル外径 APPLIED CABLE DIA. -1, -2, -3 : 10.5-11.5mm 1--1, 1--2, 1--3 : 7-8mm
  - 2. 適用コネクタ型番 : 205206-1 (HDP-20, プラグ) PLUG 205206-2 (HDP-20, プラグ) PLUG 205206-3 (HDP-20, プラグ) PLUG 205205-1 (HDP-20, リセ) REC 205205-2 (HDP-20, リセ) REC
  - 3. M3 マウンティング スクリュー : みぞなし M2.6 マウンティング スクリュー : 1本みぞ付き #4-40 マウンティング スクリュー : 2本みぞ付き
- M3 MOUNTING SCREW WITHOUT SLOT  
M2.6 MOUNTING SCREW WITH ONE SLOT  
#4-40 MOUNTING SCREW WITH TWO SLOTS

QTY	QTY	QTY	QTY	QTY	QTY	QTY	PART NO.	I.D MARK	Z	Y	X	NAME	MATERIAL	FINISH	QTY
1	2	2	2	2	2	2	174474-2					#4-40 MOUNTING SCREW	CARBON STEEL	NICKEL PL.	12
							174501-2					M2.6 MOUNTING SCREW	CARBON STEEL	NICKEL PL.	11
							174186-2					M3 MOUNTING SCREW	CARBON STEEL	NICKEL PL.	10
							173786-2					M3 HEX NUT	BRASS	NICKEL PL.	9
							173629-1					M3 SCREW (L=12)	BRASS	NICKEL PL.	8
							173765-1					M3 SCREW WITH SPRING WASHER (L=6)	CARBON STEEL	NICKEL PL.	7
							174478-2					STEEL CLAMP (S)	CARBON STEEL	NICKEL PL.	6
							174187-2					STEEL CLAMP (L)	CARBON STEEL	NICKEL PL.	5
							174500-4	D	2.2	4.5	9	CABLE COVER (B), SIZE 2, P TYPE	ABS (94V-0)	NICKEL PL.	4
							174499-2	D	2.2	4.5	9	CABLE COVER (A) WITH BIT, SIZE 2, P TYPE	ABS (94V-0)	NICKEL PL.	3
							174500-2	H	3.6	5	12	CABLE COVER (B), SIZE 2, P TYPE	ABS (94V-0)	NICKEL PL.	2
							174499-1	H	3.6	5	12	CABLE COVER (A) WITH BIT, SIZE 2, P TYPE	ABS (94V-0)	NICKEL PL.	1
<p>© 1985 BY AMP (Japan) LTD. ALL RIGHTS RESERVED. AMP PRODUCTS COVERED BY PATENTS AND OR PATENTS PENDING.</p> <p><b>AMP</b> Tyco Electronics AMP K.K. Kawasaki, Japan</p>															
<p>WIRE RANGE: nm<sup>2</sup> (AWG - J) INSULATION DIA: mm</p> <p>NAME: ケーブルクランプ キット, サイズ 2, 15P</p> <p>MATERIAL: SEE ABOVE FINISH: SEE ABOVE</p> <p>GENERAL TOLERANCE: SIZE LOC NUMBER: A3 J C-174418</p> <p>SCALE: NTS REV: G SHEET: 1 OF 1</p>															

CUSTOMER DRAWING